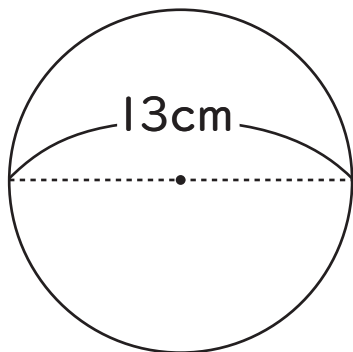


● 次の円の円周の長さを求めましょう。

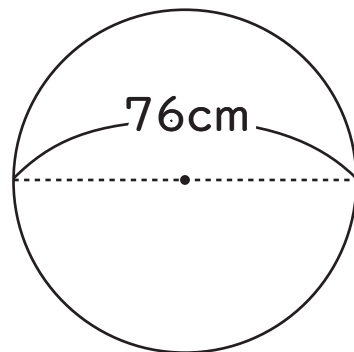
1



$$13 \times 3.14 = 40.82$$

( 40.82cm )

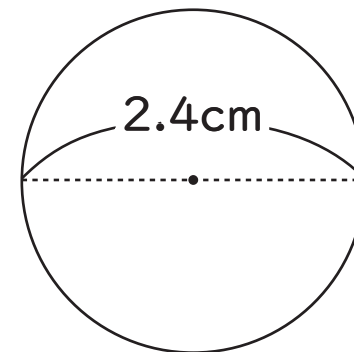
2



$$76 \times 3.14 = 238.64$$

( 238.64cm )

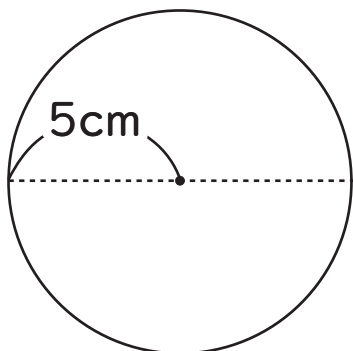
3



$$2.4 \times 3.14 = 7.536$$

( 7.536cm )

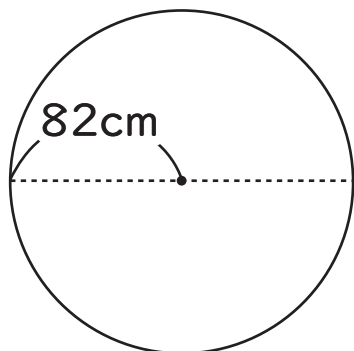
4



$$5 \times 2 \times 3.14 = 31.4$$

( 31.4cm )

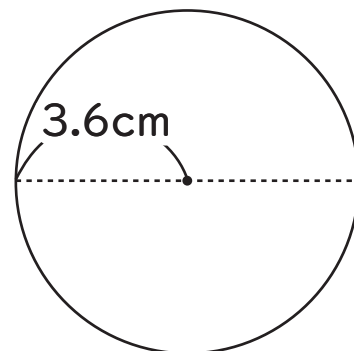
5



$$82 \times 2 \times 3.14 = 514.96$$

( 514.96cm )

6



$$3.6 \times 2 \times 3.14 = 22.608$$

( 22.608cm )